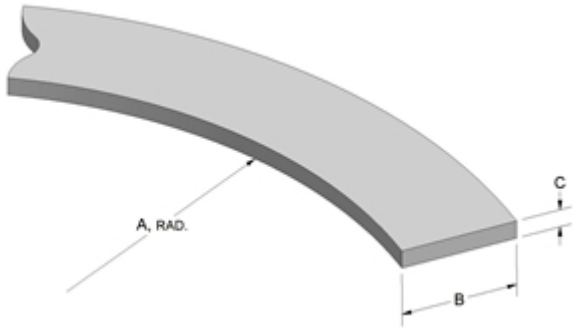
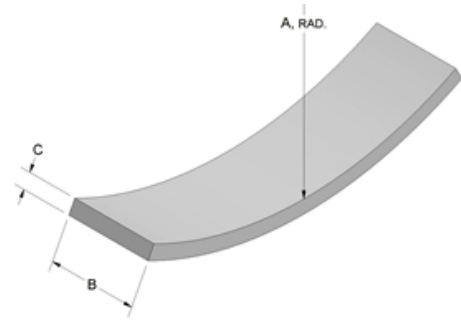




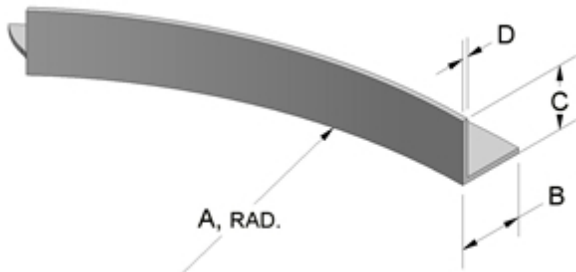
608 Carmen St.
 Jacksonville, FL 32206
 Bus. (904) 356-5635
 Fax (904) 634-3439



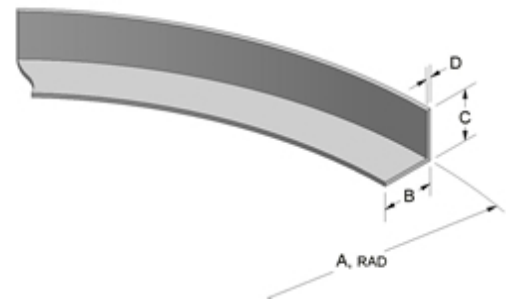
Flat Bar, Rolled the Hard Way
 Capacity: 2" thick x 10" wide (Min. Radius of 40")



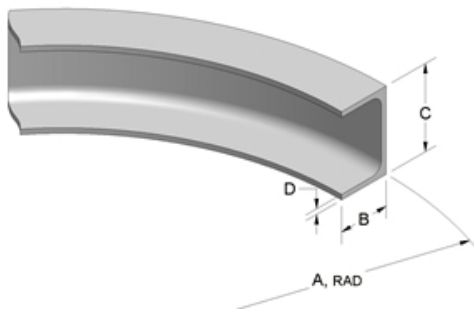
Flat Bar, Rolled the Easy Way
 Capacity: 3" thick x 17 1/2" wide (Min. Radius of 40")



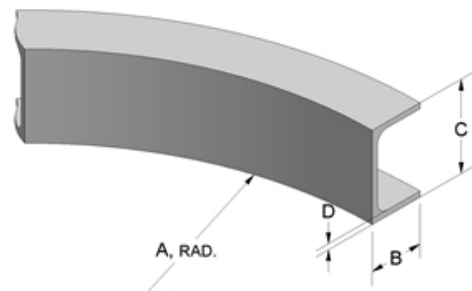
Angle, Rolled the Easy Way (Leg Out)
 Capacity: 8" x 8" x 1" (Min. Outside Radius of 75")



Angle, Rolled the Hard Way (Leg In)
 Capacity: 8" x 8" x 3/4" (Min. Inside Radius of 75")



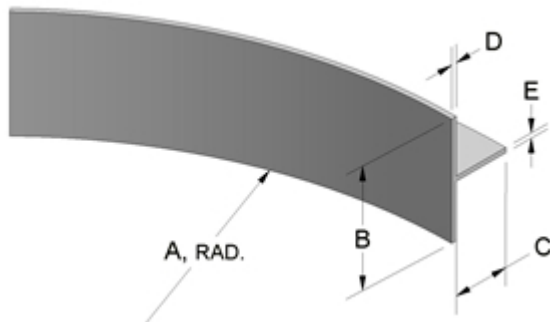
Channel, Rolled the Easy Way (Legs In)
 Capacity: C18 x 58# (Min. Inside Radius of 60")



Channel, Rolled the Easy Way (Legs Out)
 Capacity: C18 x 58# (Min. Outside Radius of 50")

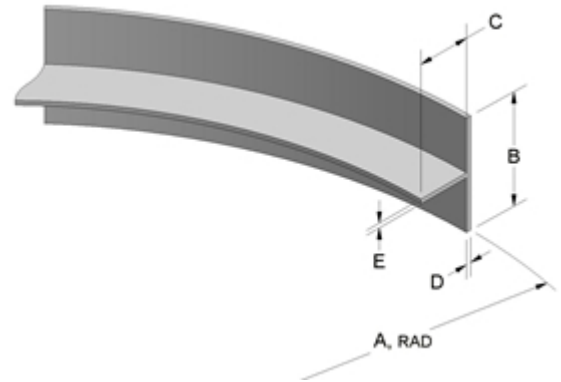


608 Carmen St.
 Jacksonville, FL 32206
 Bus. (904) 356-5635
 Fax (904) 634-3439



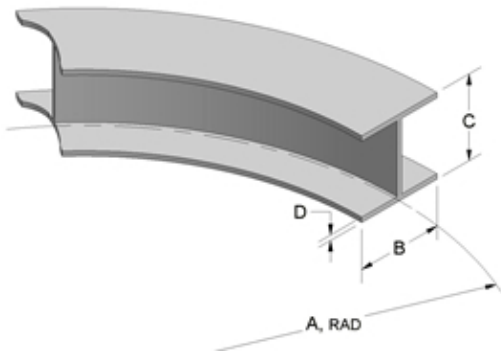
Tee, Stem Out

Capacity: 8 x 3/4" (Min. Outside Radius of 40")



Tee, Stem In

Capacity: 8 x 3/4" (Min. Inside Radius of 55")



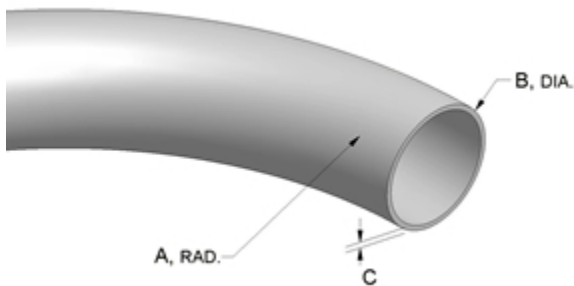
Beams, Rolled the Easy Way

Capacity: W16 x 77# (Min. Centerline Radius of 50")

Plate Rolling Capacity						
(Minimum Rolling Diameter in inches)						
Plate Thickness (in)	Max Plate Width (In)					
	20	40	60	80	100	120
4	134					
3 3/4	119					
3 1/2	104					
3	76	145				
2 3/4	65	121	182			
2 1/2	52	99	145	194		
2 1/4	44	82	119	158		
2	34	64	94	123	154	189
1 3/4	27	49	70	91	115	134
1 1/2	20	38	52	67	83	99
1 1/4	18	26	37	48	60	71
1 1/8	18	18	31	41	49	58
1	18	18	23	31	37	44
7/8	18	18	18	23	28	33
3/4	18	18	18	18	22	26
1/8 to 1/2	18	18	18	18	18	18



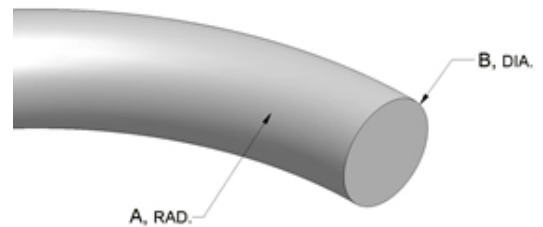
608 Carmen St.
 Jacksonville, FL 32206
 Bus. (904) 356-5635
 Fax (904) 634-3439



Pipe

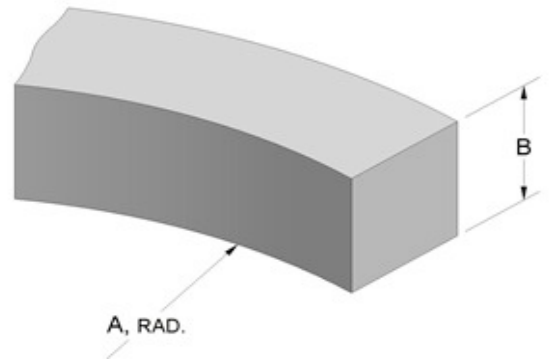
- Pipe Rolled 1" to 2" sch. 40 min. 24" centerline diameter
- Pipe Rolled 3" to 4" sch. 40 min. 48" centerline diameter
- Pipe Rolled 6" sch. 40 min. 120" centerline diameter
- Pipe Rolled 10" sch. 40 min. 160" centerline diameter
- Pipe Rolled 5" Heavy Wall, 4" inside diameter

Thicker pipe can be rolled, but the minimum diameter will increase depending on wall thickness specified.



Solid Round Stock

1/2" to 1" may be coiled to 14" minimum diameter;
 7" can be rolled to 95" diameter.



Solid Square Stock

5 1/2" can be rolled to 82" diameter.